

## LS-FL Float Level Switches



### Features:

- Ease of installation
- Many versions available

### Technical Overview

The LS-FL series of float type switches are suitable for multi-level applications where either access is only available from the top surface or where multiple level sensing is desired from a single penetration.

Units consist of a float, which is suspended from a cable. As the liquid level changes, the float follows the surface level, at the same time tilting. Inside the float are micro switch(es) which trigger as the float tips.

## Specification:

Switch rating	6A @ 6 - 250Vac
Std. cable length	5m (16.4')
Std. switching level diff.	250mm (9.84")
Max. std. switching level diff.	1200mm (47.24")
Materials:	
Float	Polypropen
Std. cable	PVC
Min fluid sp. gravity	0.7
Pressure rating	200Kpa max.
Ambient temperature	0 to +55°C (32 to 131°F)
Country of origin	Finland

## Part Codes:

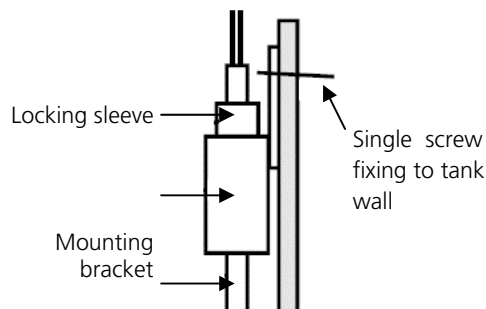
<b>LS-FL-1H</b>	High level alarm float switch
<b>LS-FL-1L</b>	Low level alarm float switch
<b>LS-FL-2H</b>	Emptying pump control float switch
<b>LS-FL-2L</b>	Filling pump control float switch
<b>LS-FL-2LH</b>	High & low level alarm float switch



The products referred to in this data sheet meet the requirements of EU Directive 2006/95/EC

## Installation:

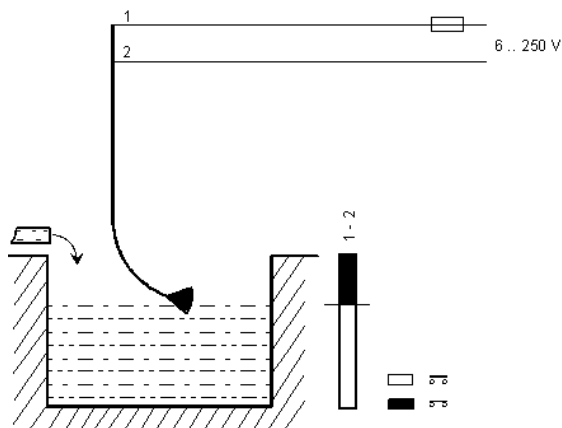
1. The LS-FL should only be installed by a competent, suitably trained technician, experienced in installation with hazardous voltages. (>50Vac & <1000Vac **or** >75Vdc & 1500Vdc)
2. Ensure that all power is disconnected before carrying out any work on the LS-FL.
3. The LS-FL-1L & LS-FL-1H are supplied with a two part mounting bracket so that the cable can be secured to the side of the tank at the top edge. This consists of a plastic tube with a single hole fixing bracket with a tubular plastic insert which slips inside 'lock' the cable in position once the desired mounting position has been finalised. Hang the float so that the lower face of the float is 12.5cms below the desired switching point. Note that no weight is required. The final adjustments may be needed under actual pumping conditions.



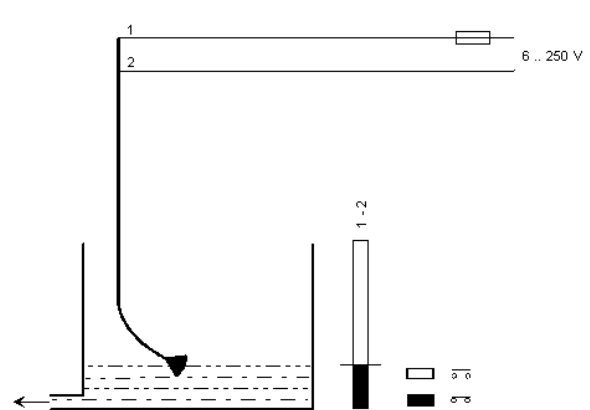
4. The remainder of the LS-FL range, are supplied with a weight. The switching height differential is adjusted by moving the weight along the cable. The differential is on minimum, when the weight is nearest to the float.

## Connections:

**LS-FL-1H:**

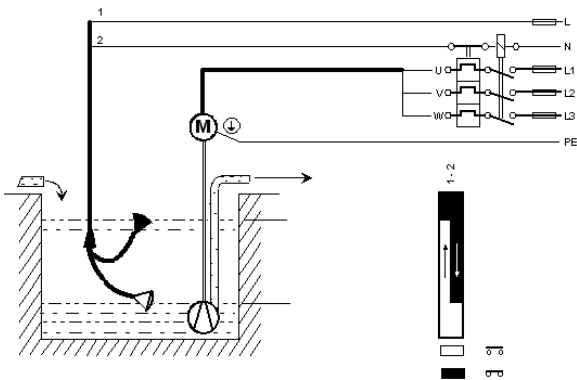


**LS-FL-1L:**

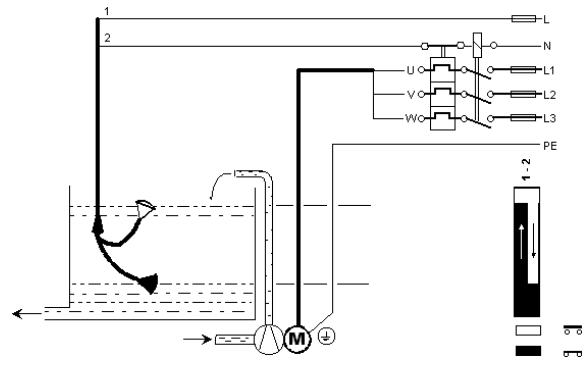


## Connections (continued):

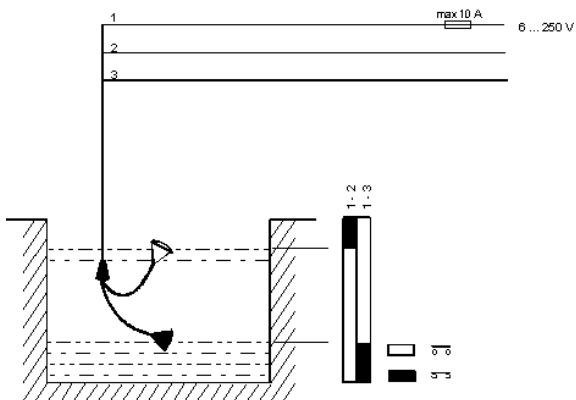
**LS-FL-2H:**



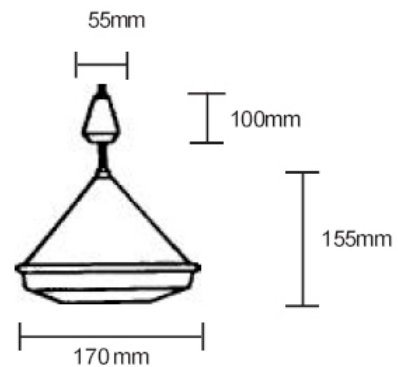
**LS-FL-2L:**



**LS-FL-2LH:**



**Dimensions:**



Whilst every effort has been made to ensure the accuracy of this specification, Sontay cannot accept responsibility for damage, injury, loss or expense from errors or omissions. In the interest of technical improvement, this specification may be altered without notice.

**Tel:** +44 (0) 1732 861200. - **E-mail:** sales@sontay.com. - **Web:** www.sontay.com.

© 2012 Sontay Limited. All rights reserved