

PL-FD113

Liquid Differential Pressure Switch



Features:

- Wide range and adjustable switching point
- Switches 24-240Vac/dc
- 1/4" BSP female connections

Benefit:

- Visible set point scale

Technical Overview

The PL-FD113 liquid differential pressure switch is suitable for the monitoring flow across pumps, chillers, valves etc. The set point is adjustable in the range 0.3 to 4.5bar, and is suitable for non-aggressive media such as water, air, oil, diesel, steam etc.

Approximate set point can be viewed on the dial at the front of the unit.

Specification:

Range	0.3 to 4.5 bar (4.4 to 65.3 psi)
Factory setting	0.7 Bar (10.2 psi)
Switching differential (fixed)	0.2 Bar (2.9 psi)
Max. differential pressure	12 Bar (174 psi)
Max. pressure	25 Bar (362.6 psi)
Pressure connections	¼" BSP female
Ambient temperature	-10 to +70°C (14 to 158°F)
Media temperature	Max 70°C (158°F)
Electrical connections	Screw terminals for 1.5mm ² cable
Switch ratings:	
AC	3A @ 230 Vac
DC	0.1A @230Vdc
Materials:	
Fittings	Brass
Wetted parts	Phosphor bronze
Switch back plate	Zinc plated mild steel
Housing cover	Flame res. Polycarbonate
Dimensions	128 x 175 x 48mm (5.04 x 6.89 x 1.89")
Protection	IP30
Vibration resistance	4G
Country of origin	Czech Republic

Part Codes:

PL-FD113
 0.3 to 4.5bar (4.4 to 65.3 psi) Liquid differential pressure switch



The products referred to in this data sheet meet the requirements of 2006/95/EC



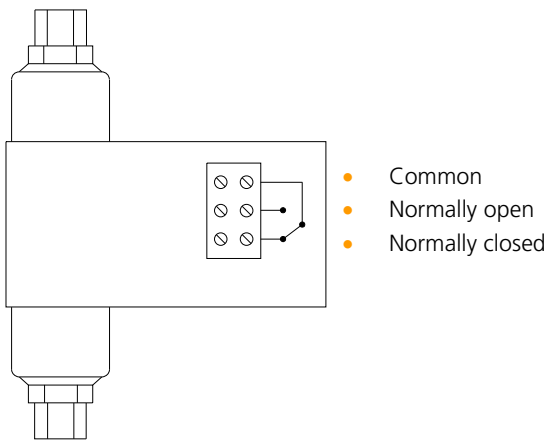
Warning!
 When installed, the output contacts may carry 240Vac. Special care must be taken to isolate the switched voltage prior to any work being undertaken.

Installation, Electrical Connections & Dimensions:

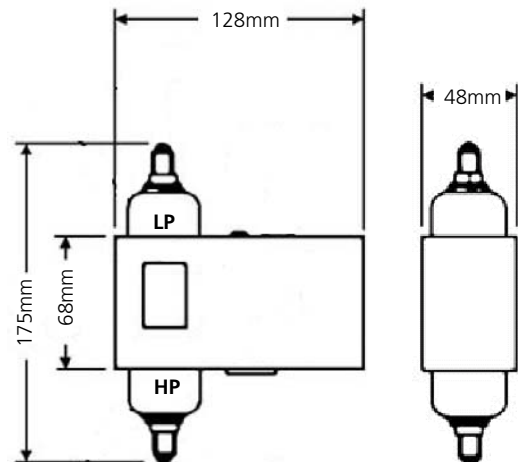
1. The PL-FD113 should only be connected by a competent, suitably trained technician, experienced in installation with hazardous voltages. (>50Vac & <1000Vac or >75Vdc & 1500Vdc). Pressure connections should be carried out by a technician qualified to work with the media being monitored.
2. Ensure that all power is disconnected before carrying out any work on the PL-FD113.
3. Ensure that the unit is not subjected to ingress by water.
4. Mount the PL-FD113 using the screws supplied. If the supplied screws are lost, an M4 x 6 screws can be used. This must have a depth of 5mm (0.2") or less.
5. Connect pipe work using ¼" BSP male adapters into the ¼" BSP female fittings on the switch. Low pressure connection is at the top of the switch and the high pressure connection at the bottom as per the diagram below.
6. Set the switching point by inserting a screwdriver into the slots wheel above the scale.

It is not recommended that the scale is not used for accurate setting of the switch position.

Electrical connections;



Dimensions;



Whilst every effort has been made to ensure the accuracy of this specification, Sontay cannot accept responsibility for damage, injury, loss or expense from errors or omissions. In the interest of technical improvement, this specification may be altered without notice.

Tel: +44 (0)1732 861200. - **E-mail:** sales@sontay.com. - **Web:** www.sontay.com.

© 2012 Sontay Limited. All rights reserved